

# Reparaturanweisungen



MONTBLASTER SIMPLICIUM G.M.B.H.

angefangen: \_\_\_\_\_  
beendigt: \_\_\_\_\_  
19 \_\_\_\_\_

---

---

---

---

---

---

---

---

I n d e x

MA 150	page 1 + 2	Assembly of the Fountain Pen
"	1a + 2a	Assembly the Nip Unit with Elastic Feeder Case
MA 151	page 1 + 2	Assembly of the Mechanism
MA 152	page 1 + 2	Adjustment of the Mechanism
MA 153	page 1 + 2	Insertion of mechanism in and
"	1a + 2a	Extrication of mechanism from Barrel Inserting and Extracting the Mechanism from the Barrel of the Pens 222 and 232
MA 154	page 1 + 2	Assembly of the Pix
MA 155	page 1	Dismounting the Nib
MA 156	page 1 + 2	Gauging the Nib
MA 157	page 1 + 2	Mounting the Mechanism into Cap of Ball Pen and Dismounting the Mechanism
MA 158	page 1 + 2	Mounting and Dismonting the Ink Feeder and Inserting the Nib of the Series 30
MA 159	page 1 + 2	Dismounting the Nib of the Series 30

WK Tools Required

MA 150 Assembly of the Fountain Pen

WK 91- 9 hexagonal key for fastening the clip 5.9 Sw.  
 WK 91-10 " " " " " " " 5.4 Sw.

MA 151 Assembly of the Mechanism

MA 152 Adjustment of the Mechanism WK 50 Isocerin

MA 153 Insertion of mechanism in and Extrication from Barrel

WK 100 Device  
 WK 53 Vaseline

MA 154 Assembly of the Pix

WK 103 key for fastening the clip

MA 156 Gauging the Nib


WK 10-3 nib-adjusting pliere  
 WK 10-4 pliere for extracting nib unit from fore-part  
 WK 29 nib-adjusting hammer  
 WK 81 gauge for slit of nib

MA 157 Mounting the Mechanism into Cap of Ball pen and  
 Dismounting the Mechanism

WK 94-9 pin for inserting the holding ring into cap  
 WK 94-5 pin for holding the lever bearing  
 WK 94-7 tool for dismounting the mechanism from the  
 cap of the ball pen

MA 158 WK 105 device for extracting the ink feeder  
 from fore part

▽ ▽ ▽ ▽ ▽

Diese Zeichnung bleibt unser Eigentum und darf nur in unserem Auftrage verwendet werden.			<b>MONTBLANC</b>	
Eingeräumte Maße werden besonders geprüft! Zul. Abweichung für Maße ohne Toleranzangabe:			<b>SIMPLO</b>	
Werkstoff:	Bem.: For Pens: 12-14-22-24-222-232-	G. m. b. H.		
Rohmaß:	92-94-72-74-82-84			
Schleißmaß:	And. Nr.:	Typ-Nr.:	gez. : 15.5.62	
Stückliste:	R e p a i r M a n u a l		gepr. : <i>Thomson</i>	
Zusbau.-Zehng. Nr.:			Ers. f. : 16.4.61	
Maßstab:			ers d.:	

Das Urheberrecht an diesen Zeichnungen und sämtlichen Beilagen verbleibt uns. Sie sind dem Empfänger nur zum persönlichen Gebrauch anvertraut. Ohne unsere schriftliche Genehmigung dürfen sie nicht kopiert oder vervielfältigt, auch nicht dritten Personen, insbesondere Wettbewerbern, mitgeteilt oder zugänglich gemacht werden.

Widerrechtliche Benutzung durch den Empfänger oder Dritte hat zivil- und strafrechtliche Folgen.

Die Zeichnungen und sämtliche Beilagen sind uns im Falle der Nichtbestellung sofort zurückzugeben.



MONTBLANC-SIMPLO G. M. B. H.  
HAMBURG 6  
SCHÄNZENSTRASSE 75-77

17. Mai 1962

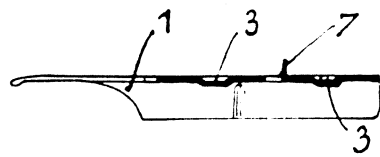


Fig. 1.

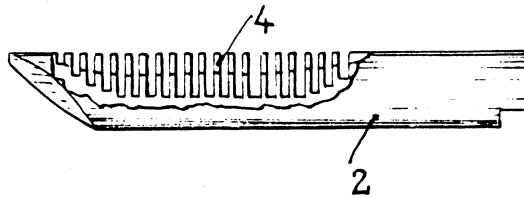


Fig. 2.

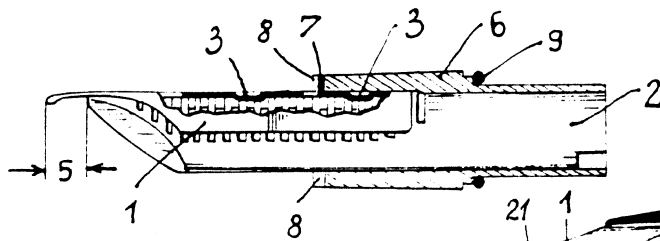


Fig. 2a.

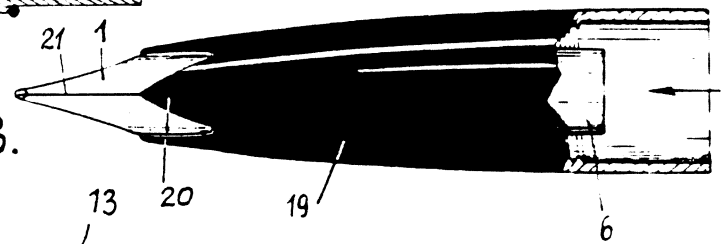


Fig. 3.

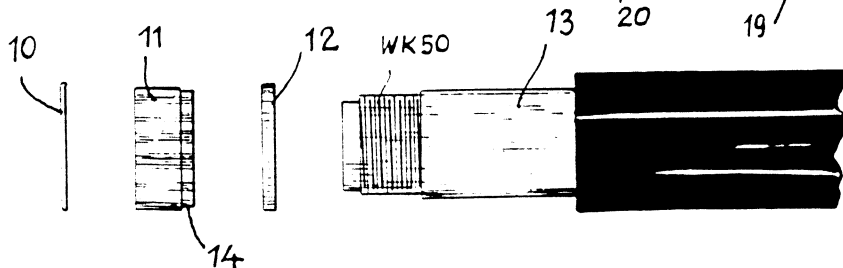
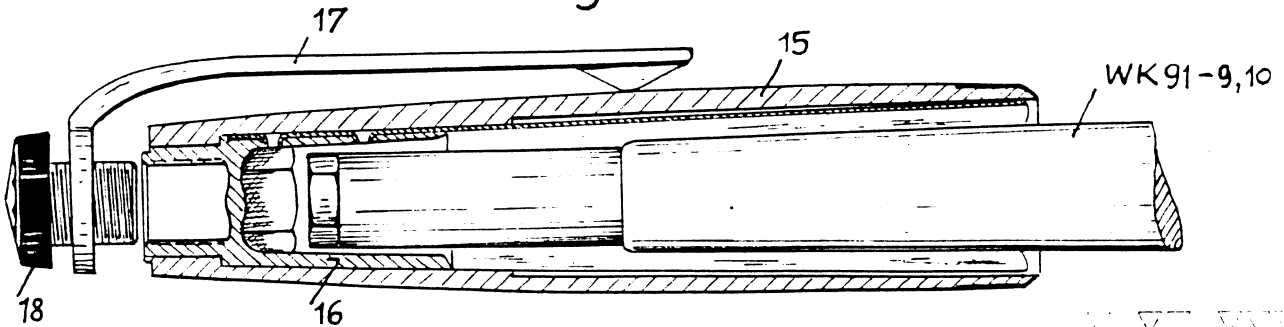


Fig. 4.



Diese Zeichnung bleibt unser Eigentum und darf nur in unserem Auftrage verwendet werden.

Eingerannte Maße werden besonders geprüft! Zul. Abweichung für Maße ohne Toleranzangabe:

Werkstoff:

Rohmaß:

Schleifmaß:

Stückliste:

Zusbau.-Zchnng. Nr.:

Maßstab:

Bem.: für Halter 12-14-22-24

72-74-82-84-92-94

And. Nr.:

Zusammenbau des Halters

Typ-Nr.:

gez. : 12.9.60

gepr. : *Montblanc*

Ers. f.:

ers d.:



MONTBLANC  
SIMPLO

G. m. b. H.

MA 150

BL. 1.

Fig. 5.

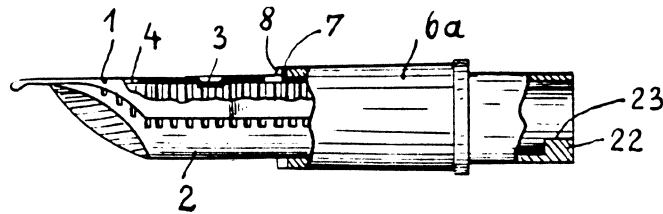


Fig. 6.



Diese Zeichnung bleibt unser Eigentum und darf nur in unserem Auftrage verwendet werden.  
Eingeramte Maße werden besonders geprüft! Zul. Abweichung für Maße ohne Toleranzangabe:

Werkstoff:  
Rohmaß:  
Schleifmaß:  
Stückliste:  
Zusbau.-Zchnng. Nr.:  
Maßstab:

Bem.:  
And. Nr.:  
Montage des Federaggregates  
mit elastischer Zuführerhülse

Typ-Nr.:  
1. u. 2.  
Serie  
gez. : 30.3.62  
gepr. : Henning  
Ers. f. :  
ers d. :



**MONTBLANC**  
**SIMPLO**  
G. m. b. H.

MA 150  
BL.1a

Fig. 1 The nib 1 is placed on the ink feeder 2, at which the recesses 3 are made to lie in the groove 4 of the feeder and at which the distance 5 from the tip of the nib up to the tip of the feeder makes about 3 mm.

Fig. 2 The nib 1 and the feeder 2 thus positioned are pushed into the feeder case 6 that far until the ledge 7 projecting upwards from the nib has entered the slit 8 of the feeder case 6 and is stopped here.

The feeder protruding out of the feeder case at the back is to be pressed that far into the feeder case until it ends up in line with same. After a packing ring 9 covered with talcum has been pushed onto the feeder case, the nib 1 is pushed into the fore-part 19 in such a way that the tip of the tongue 20 of the fore-part and the slit 21 of the nib are on the same line. At this moment parts projecting from the fore-part enter the groove 8 of the feeder case and prevent a turning of same in the fore-part, when the fore-part is screwed onto the barrel 13. \*\*

By screwing the nib onto the barrel, the nib is placed in its final position.

Fig. 3 If, after having unscrewed the fore-part, the clamping ring 10 or the transparent ring 11 or the ornamental ring 12 respectively glide down from the barrel 13, then pay heed that those parts are placed onto the barrel again in the following order of succession: ornamental ring 12, transparent ring 11, clamping ring 10, and that the shoulder 14 of the transparent ring 11 extends under the ornamental ring.

Fig. 4 Assembly of the cap (exchanging of the clip, of the top of cap or of the fitting of cap): -


The fitting 16 of the cap placed in the cap 15 is held fast by the spanner WK 91 against twisting. The clip 17 is placed on the cap 15 and joined tightly to the cap by the top of cap 18 being screwed on.

For screwing on the top of cap it is advisable to use a piece of rubber.

You have to take care that the clip does not turn on the cap, as the cap can be easily scratched.

\*\* Before screwing on the fore-part 19, a little bit of WK 50 is to be applied to the thread of the barrel 13.



Diese Zeichnung bleibt unser Eigentum und darf nur in unserem Auftrage verwendet werden.			<b>MONTBLANC</b>	
Eingerannte Maße werden besonders geprüft! Zul. Abweichung für Maße ohne Toleranzangabe:			<b>SIMPLO</b>	
Werkstoff:	Bem.: For Pens: 12 - 14 - 22 - 24 -	G. m. b. H.		M A 150
Rohmaß:	72 - 74 - 82 - 84 - 92 - 94			
Schleifmaß:	And.Nr.:	Typ-Nr.:	gez. : 9.5.61	page 2
Stückliste:	Assembly of the Fountain Pen		gepr. :	
Zusbau.-Zchnng. Nr.:	Engl.	Ers. f. :		
Maßstab:			Ers d. :	

Assembling the Nib Unit with Elastic Feeder Case

Figs. 1, 2, and 2a of MA 150 are demonstrating the assembly of the nib unit consisting of the nib 1, the ink feeder 2, and the feeder case 6. The feeder case 6 here is made of hard rubber, and a ring 9 serving as the packing is slipped on the feeder case.

Contrary to the above, the nib unit shown in Figs. 5 and 6 has a feeder case 6a which is not made of hard rubber but of an elastic plastic material.

The nib 1 is put on the ink feeder 2, with the beads 3 lying in the groove 4 of the feeder and the distance between the tip of the nib and the tip of the feeder being approx. 3 mm. Thus put together the nib 1 and the feeder 2 are pushed into the feeder case 6a. Bear in mind that the shoulder 22 in the back end of the feeder case 6a has to come to lie in the recess 23 of the feeder and the pin 7 projecting upwards has to fit into the slit 8 of the feeder case 6a.

The elastic feeder case 6a acting as a packing itself as well, a packing ring 9 must not be slipped on the feeder case.




Diese Zeichnung bleibt unser Eigentum und darf nur in unserem Auftrage verwendet werden.			<b>MONTBLANC SIMPLO</b> G. m. b. H.	
Eingerannte Maße werden besonders geprüft! Zul. Abweichung für Maße ohne Toleranzangabe:				
Werkstoff: _____	Bem.: _____	Typ-Nr.: _____ gez. : _____ gepr. : _____ Ers. f. : _____ ers d.: _____	MA 150 page 2	
Rohmaß: _____	And. Nr.: _____			
Schleifmaß: _____	Assembling the Nib Unit with Elastic Feeder Case			
Stückliste: _____				
Zusbau.-Zchnng. Nr.: _____				
Maßstab: _____				



Fig. 1.

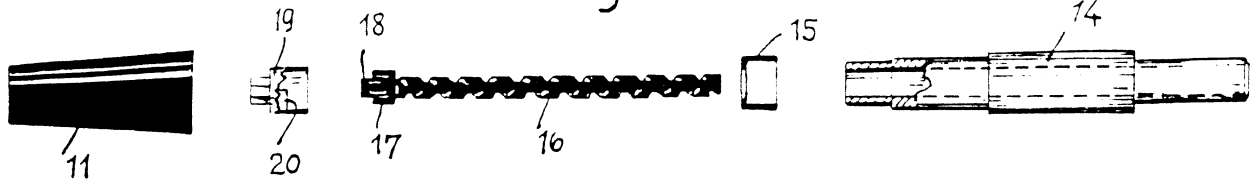


Fig. 2.

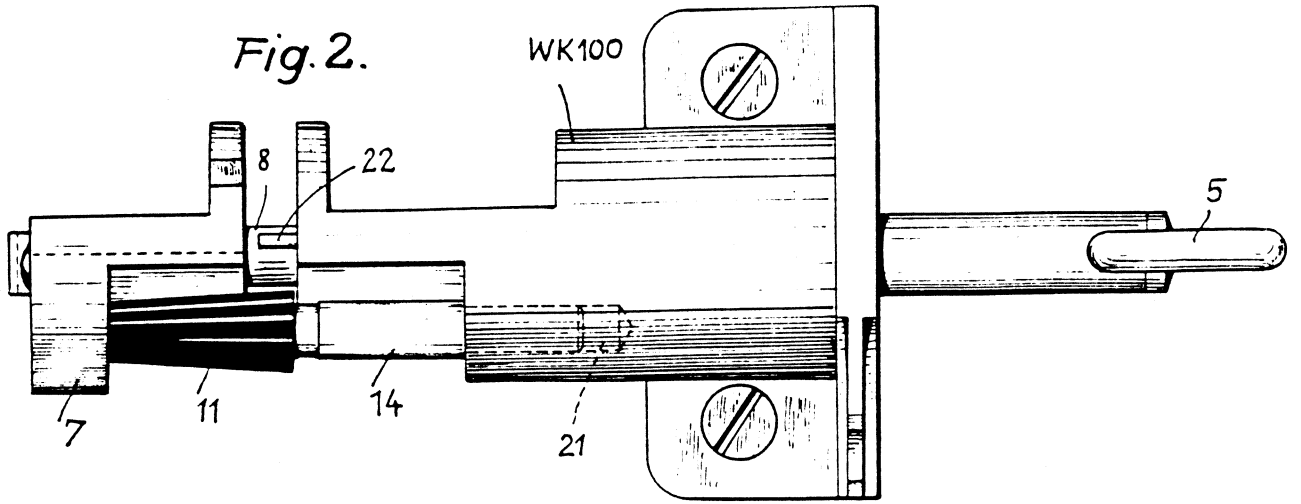
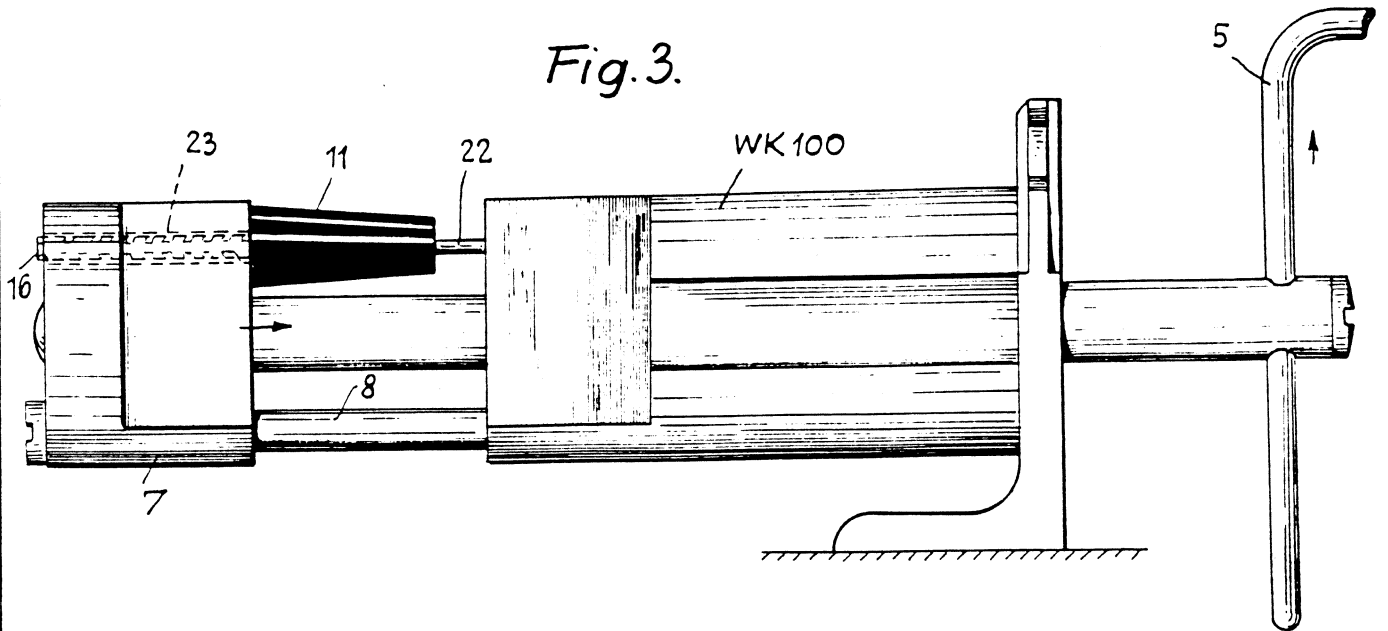


Fig. 3.



▽ ▽ ▽ ▽ ▽

Diese Zeichnung bleibt unser Eigentum und darf nur in unserem Auftrage verwendet werden.  
 Eingerannte Maße werden besonders geprüft! Zul. Abweichung für Maße ohne Toleranzangabe:  
 Werkstoff:  
 Rohmaß:  
 Schleifmaß:  
 Stückliste:  
 Zusbau.-Zehng. Nr.:  
 Maßstab:

Bem.: für Halter 12-14-22-24  
 72-74-82-84-92-94  
 And. Nr.:  
 Zusammenbau der Mechanik



**MONTBLANC**  
**SIMPLO**  
 G. m. b. H.

gez.: 5.10.60  
 gepr.:  
 Ers. f.:  
 ers d.:

MA 151  
 BL.1



## Assembly of the Mechanism

The mechanism consisting of the following pieces

spindle 16  
\*\* clamping ring 15  
carrier 19  
cone 11  
screw 3  
spiral piston 26  
piston 27

is assembled as described below.

### Mounting the Spindle into the Cone

Fig. 1 The \*\* clamping ring 15 is placed on a pin 14 and the spindle 16 placed inside the hollow pin 14 so that the head 17 of the spindle 16 holds the \*\* clamping ring 15 on the pin 14. The head 17 is provided with a shoulder 18.

In the cone, there is a carrier 19 having the form of the Montblanc star trademark and provided with a shoulder 20. The cone 11 is placed on the pin 14 bearing the parts 15, 16 at which you have to pay heed that the shoulder 18 comes to lie beside the shoulder 20 and is seized by same when the cone is being turned.

Fig. 2 The parts being thus gathered, the pin 14 is pushed into the bore 21 of the device WK 100, and by turning the crank 5 the counter-piece 7 is moved toward the cone 11 and by a further turning the latter is moved to the final position of the \* clamping ring 15. After removing the cone with the spindle from the tool WK 100, you have to check by a pull on the spindle 16 whether same is sitting tight.


### Dismounting the Spindle from the Cone

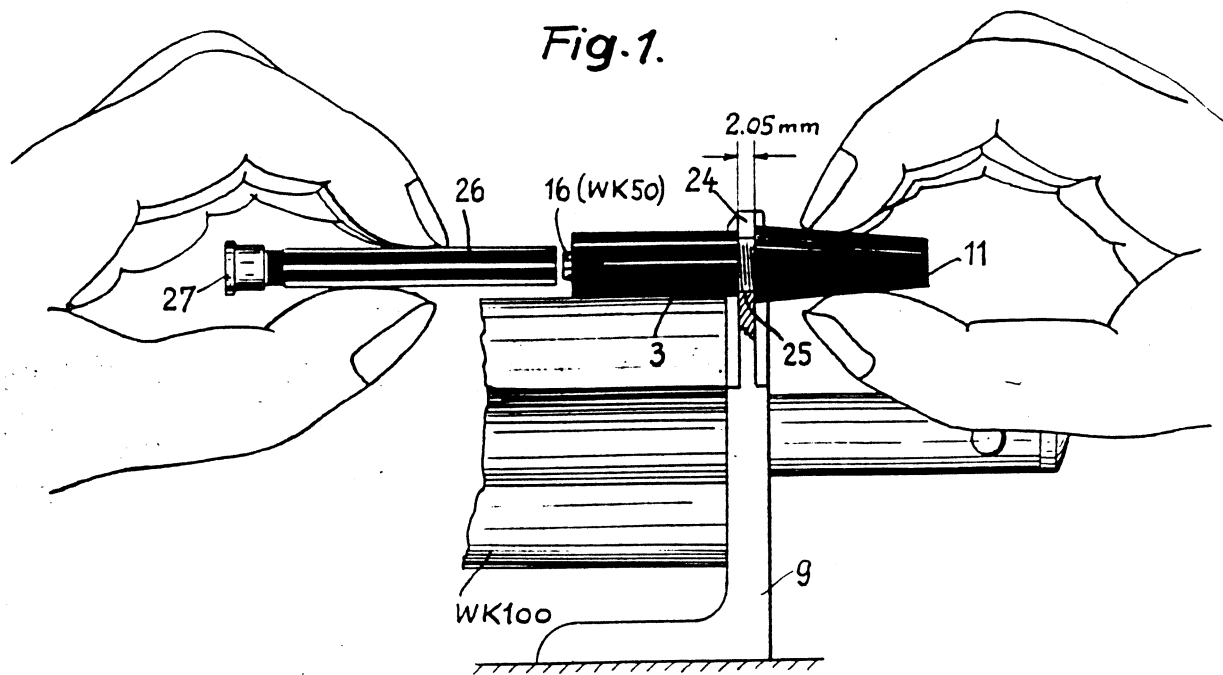
Fig. 3 In case the spindle 16 has to be dismounted, the cone 11 - the star trademark being put against the pin 22 of the WK 100 - is placed in such a way that the spindle 16 reaches into the bore 23 of the counter-piece 7. By turning the crank 5 to the right the pin 22 presses itself into the cone 11 and pushes the spindle 16 and the \*\* clamping ring 15 out of their seat, thus making it possible to have them removed easily.

When using the cone anew, you have to mount the carrier (star trademark) again before inserting the new spindle.

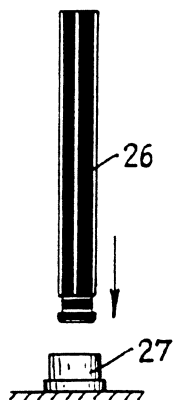
\*\* Instead of clamping ring, read supporting ring.

▽ ▽ ▽ ▽ ▽

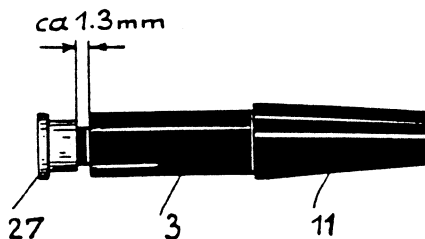
Diese Zeichnung bleibt unser Eigentum und darf nur in unserem Auftrage verwendet werden.			MONTBLANC SIMPLO G. m. b. H.	
Eingerahmte Maße werden besonders geprüft! Zul. Abweichung für Maße ohne Toleranzangabe:				
Werkstoff:	Bem.: <u>For Pens:</u> 12 - 14 - 22 - 24 -	Typ-Nr.:	gez. : 9.5.61	M A 151 page 2
Rohmaß:	72 - 74 - 82 - 84 - 92 - 94		gepr. :	
Schleifmaß:	And. Nr.:	Ers. f. :		
Stückliste:	Assembly of the Mechanism	Engl.:	ers d.:	
Zusbau.-Zchnq. Nr.:				
Maßstab:				




**Fig. 2.**



**Fig. 4.**



▽ ▽ ▽ ▽ ▽ ▽ ▽ ▽ ▽ ▽

Diese Zeichnung bleibt unser Eigentum und darf nur in unserem Auftrage verwendet werden.		 <b>MONTBLANC SIMPLO</b> G. m. b. H.	
Eingeramte Maße werden besonders geprüft! Zul. Abweichung für Maße ohne Toleranzangabe:			
Werkstoff:	Bem.: für Halter 12-14-22-24	Typ-Nr.:	gez. : 15.3.61
Rohmaß:	72-74-82-84-92-94		gepr. : <i>Herren</i>
Schleifmaß:	And. Nr.:	Abstimmen der Mechanik	Ers. f. : 5.10.60
Stückliste:			ers d.:
Zusbau.-Zchnng. Nr.:			
Maßstab:			<b>MA152- Bl. 1</b>

Adjustment of the Mechanism which is to be mounted into the Barrel

Before mounting the mechanism into the barrel (see MA 153) the advance of the piston has to be adjusted: -

Fig. 1 At the angle 9, the tool WK 100 is provided with a distance gib 24.


The cone 11 is unscrewed from the screw 3 that far till the thread of the screw 3 can be laid into the cavity 25 of the distance gib 24. The cone is then screwed against the distance gib again. By doing so, the cone 11 and the screw 3 are adjusted to each other, necessary for properly limiting the movement of the piston 27.

Fig. 2 The spiral piston 26 is pressed vertically into the piston 27, some vaseline WK 53 applied to the spindle 16,  
Fig. 1 and the spiral piston 26 is then screwed on the spindle 16 clockwise until the latter stops in the next guide notch of the screw 3.

After removing the mechanism out of the device, the cone is turned to the right and the spiral piston 26 thereby is drawn into the screw 3.

Fig. 3 The distance between the piston 27 and the screw 3 must be about 1.3 mm, the piston being screwed back.



Diese Zeichnung bleibt unser Eigentum und darf nur in unserem Auftrage verwendet werden.		 <b>MONTBLANC</b> <b>SIMPLO</b> G. m. b. H.
Eingerahmte Maße werden besonders geprüft! Zul. Abweichung für Maße ohne Toleranzangabe: -		
Werkstoff:	Bem.: For Pens: 12-14-22-24	gez.: 9.5.61 gepr.: Ers. f.: ers d.:
Rohmaß:	72-74-82-84-92-94	
Schleifmaß:	Änd. Nr.:	Typ-Nr.:
Stückliste:	Adjustment of the Mechanism Engl.	
Zusbau.-Zehng. Nr.:		
Maßstab:	M A 152 page 2	

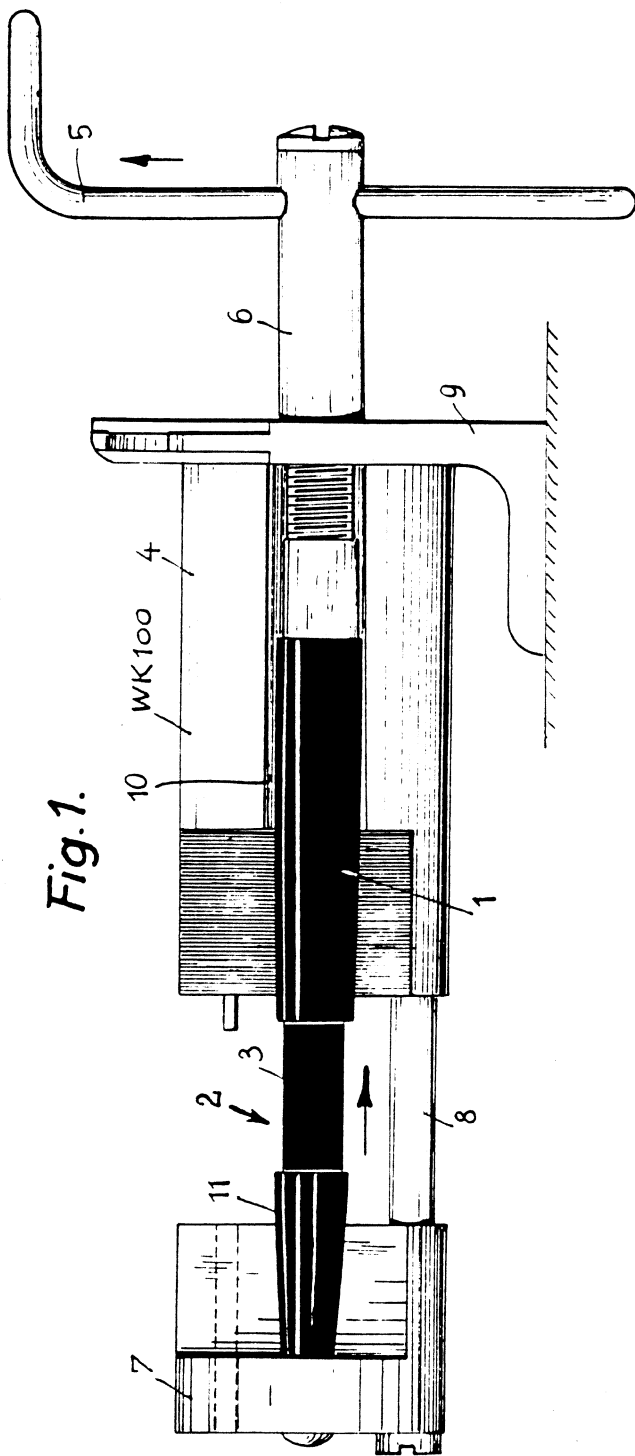


Fig. 1.

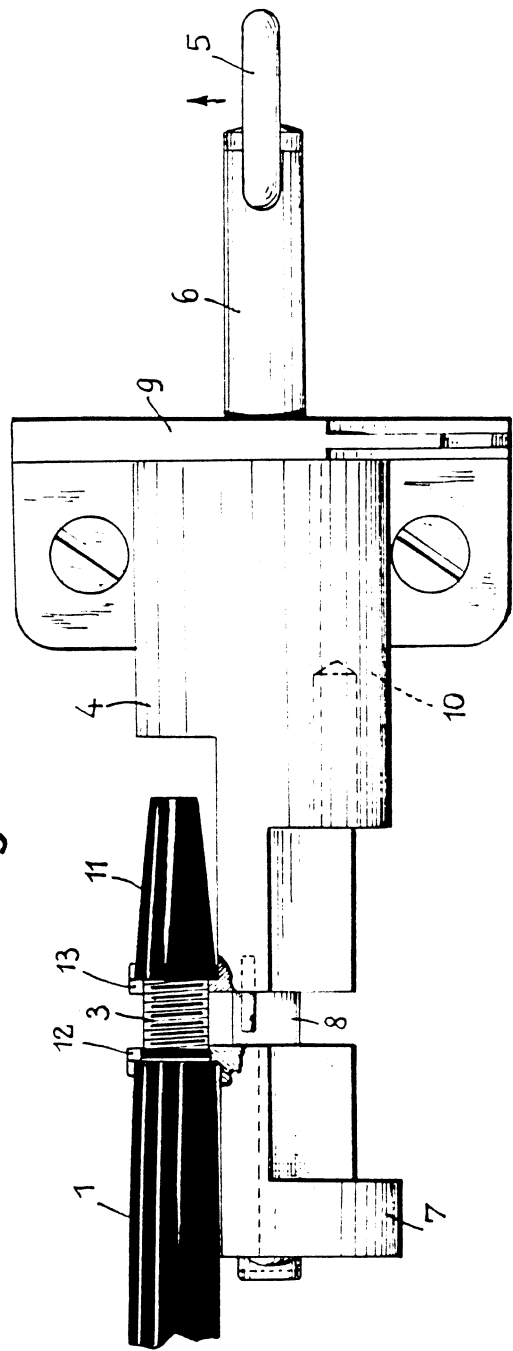


Fig. 2.

Diese Zeichnung bleibt unser Eigentum und darf nur in unserem Auftrage verwendet werden.

Eingerannte Maße werden besonders geprüft! Zul. Abweichung für Maße ohne Toleranzangabe:

Werkstoff:

Rohmaß:

Schleifmaß:

Stückliste:

Zusbau.-Zchnq. Nr.:

Maßstab:

Bem.: für Halter 12-14-22-24

72-74-82-84-92-94

And. Nr.:

Einschieben u. Herausziehen  
der Mechanik in den Behälter ...

Typ-Nr.:

gez. : 30.9.60

gepr. : *Stano*

Ers. f. :

ers d. :



**MONTBLANC**  
**SIMPLO**  
G. m. b. H.

MA 153

Bl. 1.

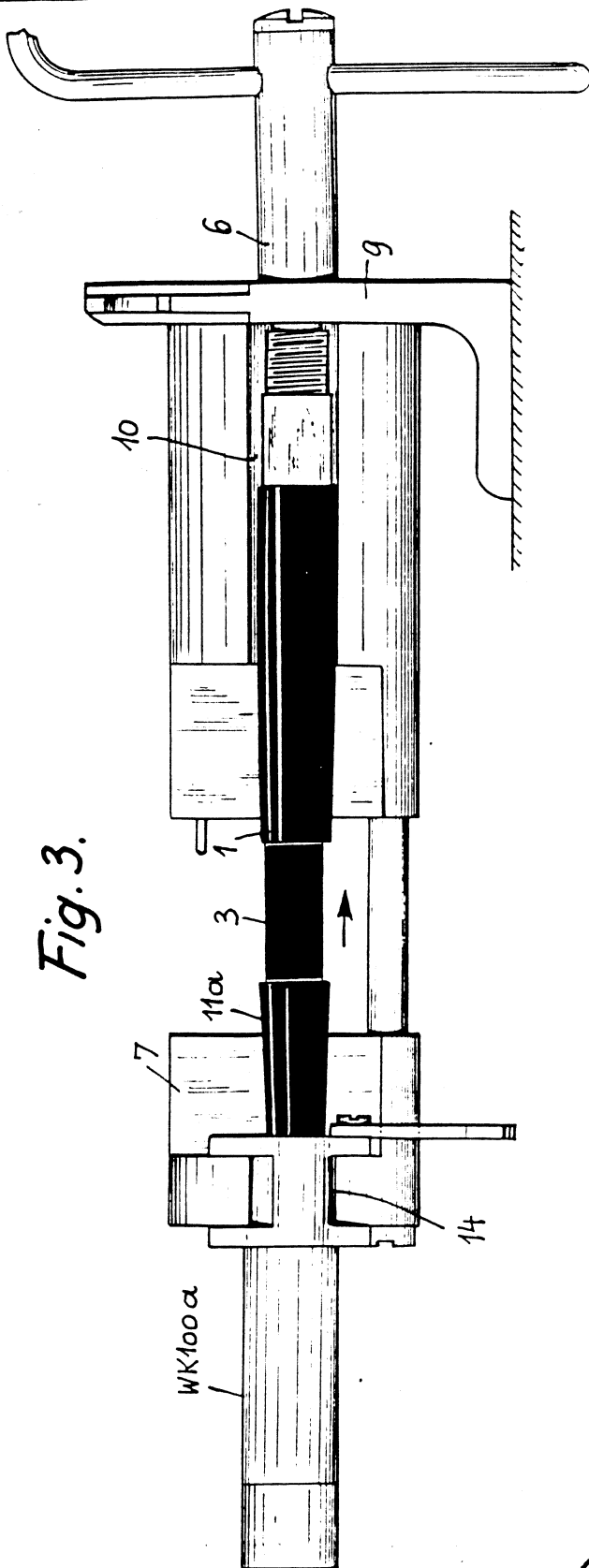


Fig. 3.

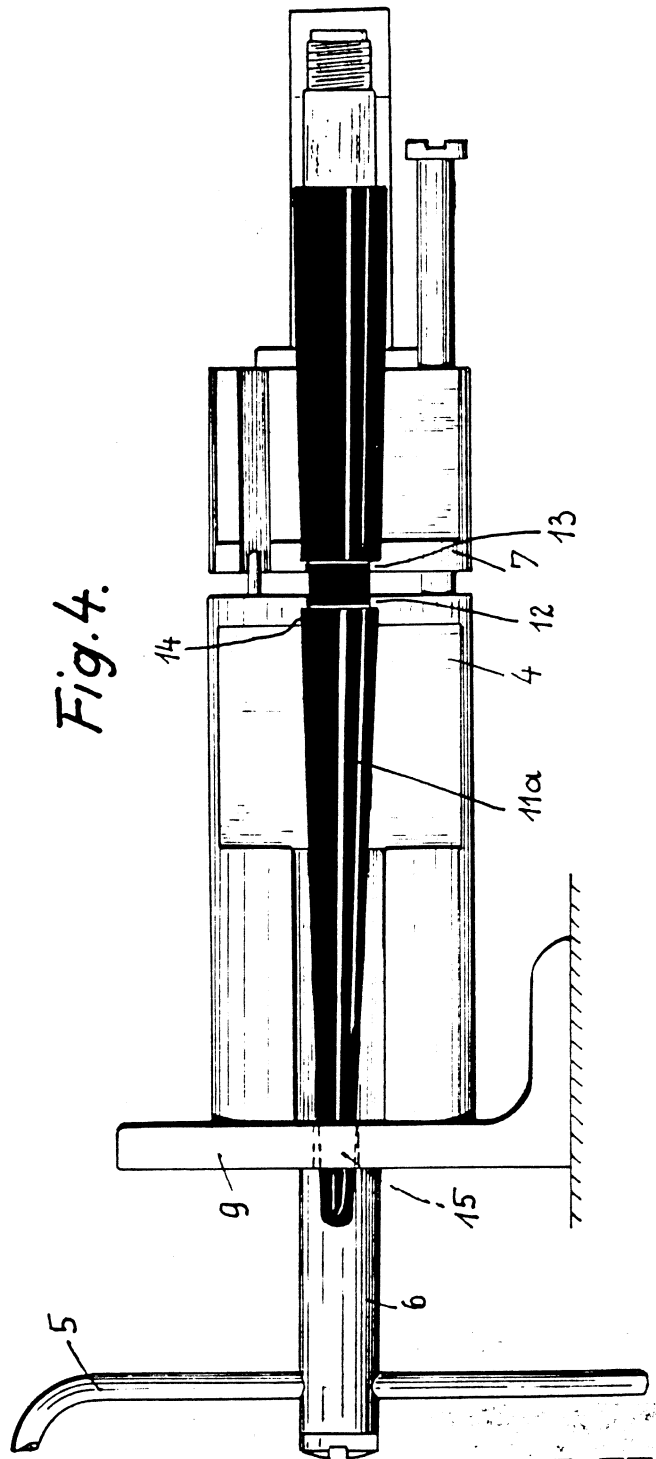


Fig. 4.

Diese Zeichnung bleibt unser Eigentum und darf nur in unserem Auftrage verwendet werden.  
 Eingeramte Maße werden besonders geprüft! Zul. Abweichung für Maße ohne Toleranzangabe:

Werkstoff:  
 Rohmaß:  
 Schleißmaß:  
 Stückliste:  
 Zusau.-Zchnng. Nr.:  
 Maßstab:

Bem.:  
 And. Nr.:  
 Einschieben und Herausziehen der Me-  
 chanik aus dem Behälter der Halter  
 222 und 232

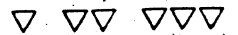
Typ-Nr.:

gez. : 30.3.62  
 gepr. : *Thomson*  
 Ers. f. :  
 ers d. :



**MONTBLANC**  
**SIMPLO**  
 G. m. b. H.

MA 153  
 BL. 1α



Insertion of the mechanism in the Barrel

Fig. 1 The barrel 1 (without clamping, transparent an ornamental ring) is fitted with the mechanism 2 by pushing the screw 3 of the mechanism by hand into the barrel from the side of the cone and then pressing it into its final position in the device WK 100. This is done as described below.


The device WK 100 has a pillow block 4 in which a spindle 6 is turned by means of a crank, which spindle draws a counterpiece 7 on a guide bar up to the pillow block 4 or away from it. The pillow block is provided with an angle by which the device can be attached to a table or something similar.

When the screw 3 of the mechanism has been inserted by hand in the barrel, the barrel 1 is pushed into the reception 10 of the pillow block where in doing so that transparent end abuts against the angle 9.

Extrication of the Mechanism from the Barrel

Fig. 2 Extricating the mechanism from the barrel is done likewise by means of the device WK 100.

The counter-piece 7 is screwed against the pillow block 4, the cone 11 is unscrewed from the barrel 1 that far till the stopping shoulders 12 and 13 of the reception 14 lying against one another fit into the space resulting between the cone 11 and the barrel 1. By turning the crank 5 to the left the counter-piece 7 is moved away from the pillow block, and respectively the stopping shoulders 12, 13 are drawn apart, and as the barrel is lying against the stopping shoulder 12 and the cone against the stopping shoulder 13, the barrel is drawn off from the mechanism or respectively from the screw 3.

Diese Zeichnung bleibt unser Eigentum und darf nur in unserem Auftrage verwendet werden.		 <b>MONTBLANC</b> <b>SIMPLE</b> G. M. H.	
Eingerahmte Maße werden besonders geprüft! Zul. Abweichung für Maße ohne Toleranzangabe:			
Werkstoff:	Bem.:	Typ-Nr.:	gez. 9.5.61
Rohmaß:			gepr. 153
Schleifmaß:	And. Nr.:	Insertion in and Extrication of	Ers. 1. 2
Stückliste:		the Mechanism from the Barrel	ers d. 2
Zusbau.-Zchnng. Nr.:		Engl.	
Maßstab:			

Inserting the Mechanism in the Barrel  
of the Pens 222 and 232


---

Fig. 3 After the mechanism has been inserted in the long cone 11a (see MA 152), the screw 3 of the mechanism is pushed into the barrel 1 by hand. The cone 11a is placed in the supplementary device WK 100a, and the counter stay 7 is moved in such a way by means of the spindle 6 that when the barrel 1 in the receptacle 10 abuts against the angular device 9 the supplementary device WK 100a can be inserted in the recess 14 of the counter stay 7. The counter stay 7 is then moved in the direction of the arrow until the cone 11a abuts against the barrel 1.

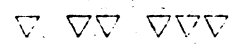
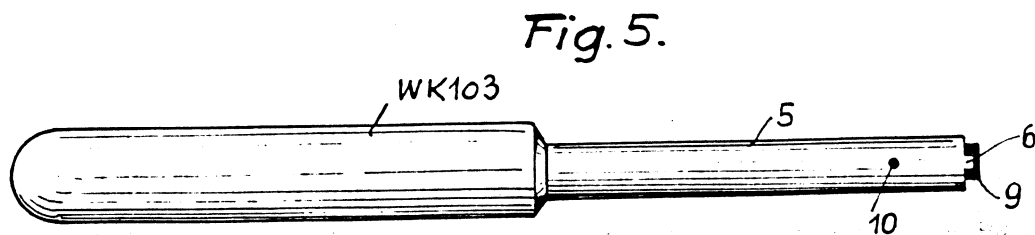
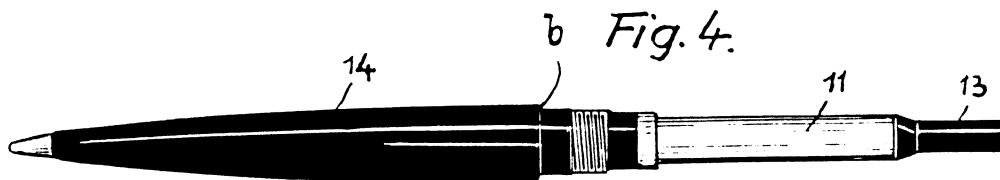
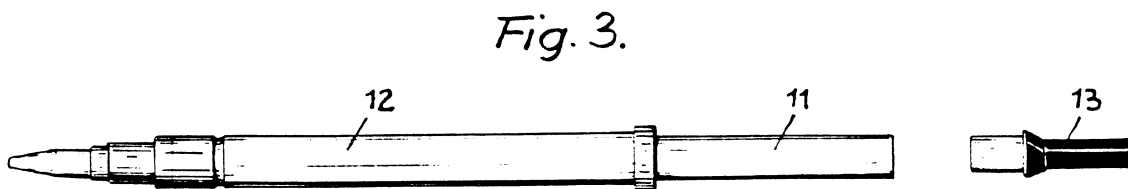
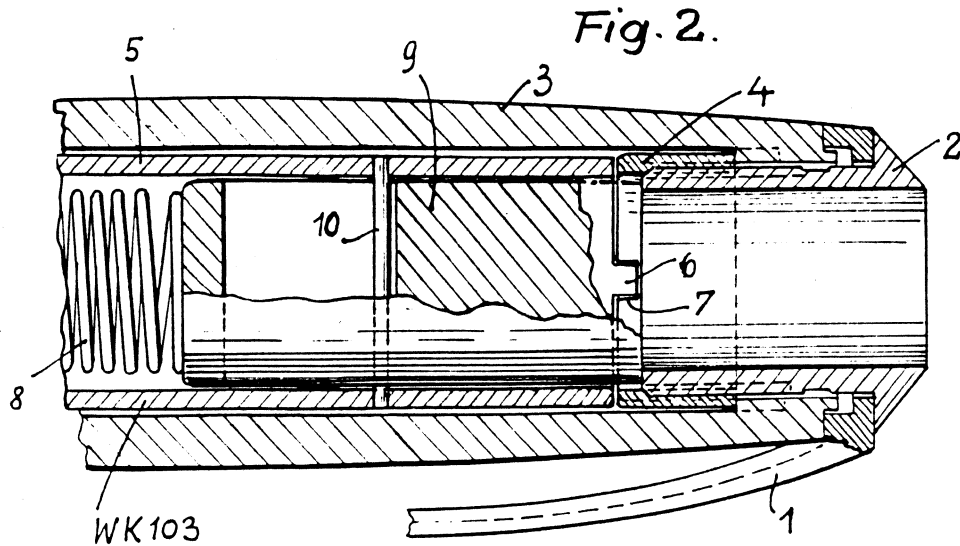
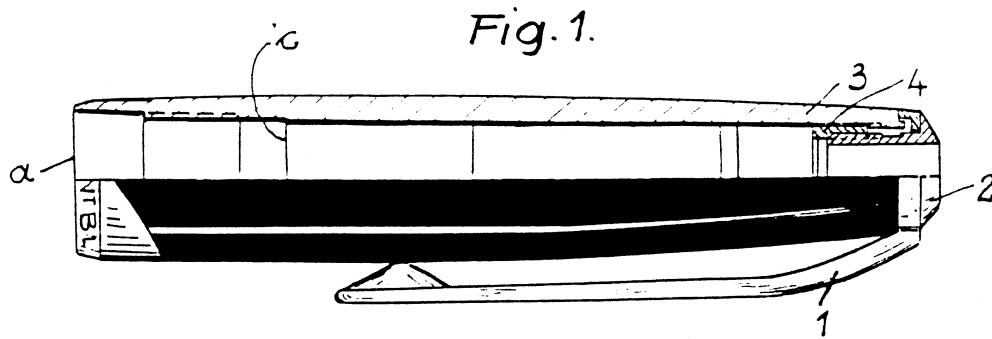
Fig. 4 Extracting the Mechanism from the Barrel


The counter stay 7 is pushed against the pillow block 4, and the cone 11a is screwed from the barrel 1 that far and inserted in the opening 15 of the angular device 9, until the gibs 12 and 13 of the receptacle 14 fit into the space resulting between the cone and the barrel. By turning the crank 5 counter-clockwise the counter stay 7 is moved away from the pillow block 4 and the stopping gips 12 and 13 are pulled apart, and with the barrel 1 lying against the gib 13 and the cone 11a against the gib 12 the barrel is pulled off the mechanism or rather off the screw.



Diese Zeichnung bleibt unser Eigentum und darf nur in unserem Auftrage verwendet werden.				 <p style="margin: 0;"><b>MONTBLANC</b> <b>SIMPLO</b> G. m. b. H.</p>	
Eingerannte Maße werden besonders geprüft! Zul. Abweichung für Maße ohne Toleranzangabe:					
Werkstoff:	Bem.:			gez. :	<p style="margin: 0;">MA 1 5 3</p> <p style="margin: 0;">page 2a</p>
Rohmaß:				gepr. :	
Schleifmaß:	And. Nr.:	Typ-Nr.:	Ers. f. :		
Stückliste:	<p style="margin: 0;">Inserting and Extracting the Mechanism from the Barrel of the Pens 222 and 232</p>			ers d. :	
Zusbau.-Zchnng. Nr.:					
Maßstab:					





Diese Zeichnung bleibt unser Eigentum und darf nur in unserem Auftrage verwendet werden.		 <b>MONTBLANC</b> <b>SIMPLO</b> G. m. b. H.		
Eingerahmte Maße werden besonders geprüft! Zul. Abweichung für Maße ohne Toleranzangabe:				
Werkstoff:	Bem.: für Fix 15-16-25-26-35-36	Typ-Nr.:	gez. :14.5.60	
Rohmaß:	75-76-85-86-95-96		gepr. : <i>Stamm</i>	MA 154
Schleifmaß:	Änd. Nr.:	Pix-Zusammenbau	Ers. f. :	Bl. 1.
Stückliste:			ers d.:	
Zusbau.-Zchnng. Nr.:				
Maßstab:				

Assembly of the P i x

Fitting the cap with the clip

Fig. 1 and 2 The clip 1 is pushed over the clamping sleeve 2 and the latter is placed in the cap 3. By tightening the nut 4 inside the cap the clip 1 is drawn firmly to the cap 3.

In order to facilitate the screwing on of the nut 4 onto the thread which can be only felt of the clamping sleeve 2, the key WK 103 is used.

The key consists of a tube 5 the front part of which has two shoulders 6 which reach into the slot 7 of the nut 4 and thus act as screw driver. Since the nut 4 has to be operated centrally, there is a bolt 9 in the tube 5 under pressure of a spiral spring 8 and projecting that far out of the tube 5 that the nut 4 can be put on the tube 5 and the projecting end of the bolt 9 gives it the necessary support. As soon as the bolt 9, the WK 103 being inserted with the nut 4, meets the front part of the clamping sleeve 2, it is pushed into the tube 5 during which the nut 4 lies against the thread of the clamping sleeve 2 in such a way that it screws itself onto the thread, the key being turned. The displacement of the bolt 9 is limited by the pin 10.

Be careful that when securing the nut 4 the clip does not scratch the cap and damage it.

Assembly

Fig. 3 and 4 After the feed tube 11 of the mechanism 12 has been filled with up to 8 refills and the feed tube 11 closed with the top 13, the mechanism 12 is put into the barrel 14 and the cap 3 screwed onto the barrel.

Fig. 5 is the key WK 103.

A t t e n t i o n

- 1) If - the Pix pencil being mounted - there is a slit yet between the mouth "a" of the cap and the shoulder "b" of the barrel, then the step "c" in the cap has to be lowered by means of the cutter WK 104.
- 2) If there is a clearance in the mechanism between barrel and cap, then the barrel has to be shortened at "b".




Diese Zeichnung bleibt unser Eigentum und darf nur in unserem Auftrage verwendet werden.		 <b>MONTBLANC</b> <b>SIMPLO</b> G. m. b. H.	
Eingerahmte Maße werden besonders geprüft! Zul. Abweichung für Maße ohne Toleranzangabe:			
Werkstoff:	Bem.: For Pix: 15-16-25-26-35-36	Typ-Nr.:	gez. :9.5.61
Rohmaß:	75-76-85-86-95-96		gepr. :
Schleifmaß:	And. Nr.:	Engl.	Ers. f. :
Stückliste:	Assembly of the P i x		Ers d.:
Zusbau-Zchnng. Nr.:			
Maßstab:			M A 154 page 2

Fig.1.

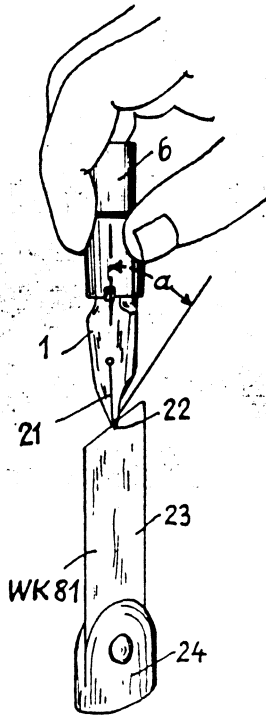


Fig.2.

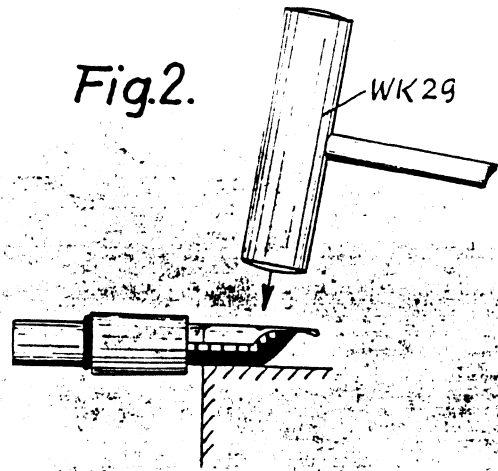
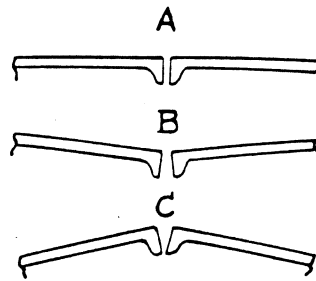


Fig.3.



Diese Zeichnung bleibt unser Eigentum und darf nur in unserem Auftrage verwendet werden.

Eingerahmte Maße werden besonders geprüft! Zul. Abweichung für Maße ohne Toleranzangabe:

Werkstoff:	Bem.: für Halter 12-14-22-24
Rohmaß:	72-74-82-84-92-94
Schleifmaß:	And. Nr.:
Stückliste:	Typ-Nr.:
Zusbau.-Zchnng. Nr.:	Das Lehren der Schreibfeder
Maßstab:	



**MONTBLANC**  
**SIMPLO**  
G. m. b. H.

gez. : 26.10.60  
gepr. :  
Ers. f. :  
ers d. :

MA 156  
Bl. 1.

Fig. 1 The nib mounted with the feeder and the ink feeder needs a certain tension and therefore has to be gauged before being mounted in the fore-part, i.e. the blade of the slit gauge WK 81 is to be inserted in the slit 21 of the nib 1 that far, as far as the iridium point 22 goes. The nib is then to be held vertically so the weight hangs freely.

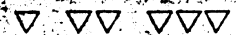
The nib being in this position is moved from its vertical position sideways  $1 \frac{1}{2}$  or 2 times into the position a. If the gauge WK 81 drops from the nib after this movement, the nib is alright.


Fig. 2 If, however, the nib sticks to the nib, the latter has been adjusted too tightly and must be relieved of the stress by beating lightly on the center hole with the nib-adjusting hammer WK 29.

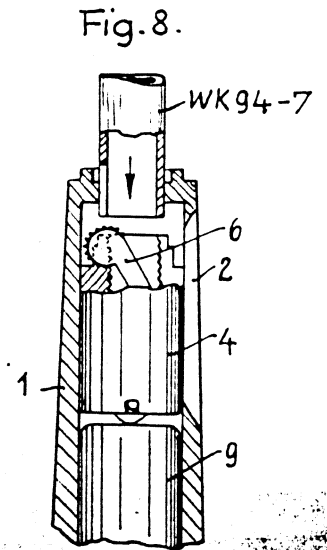
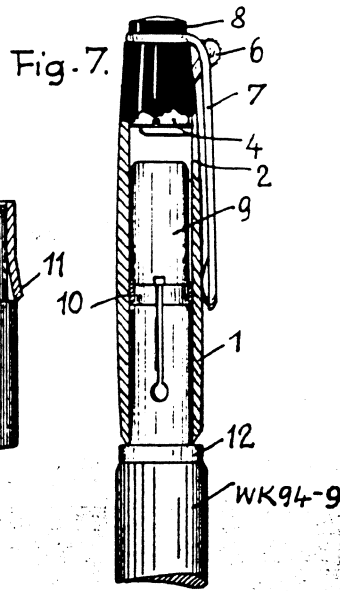
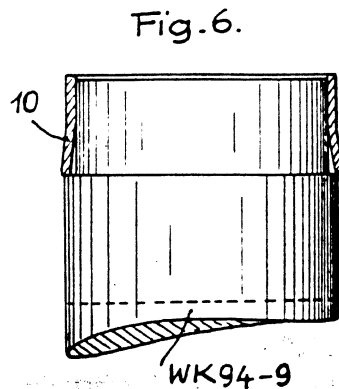
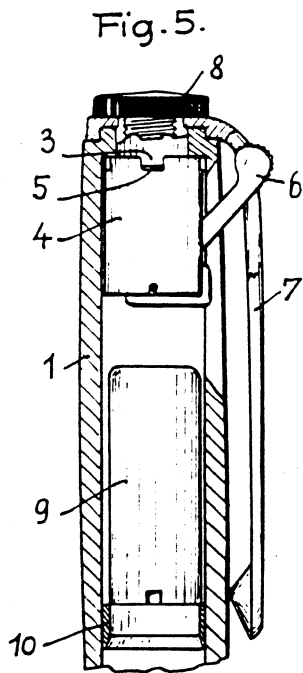
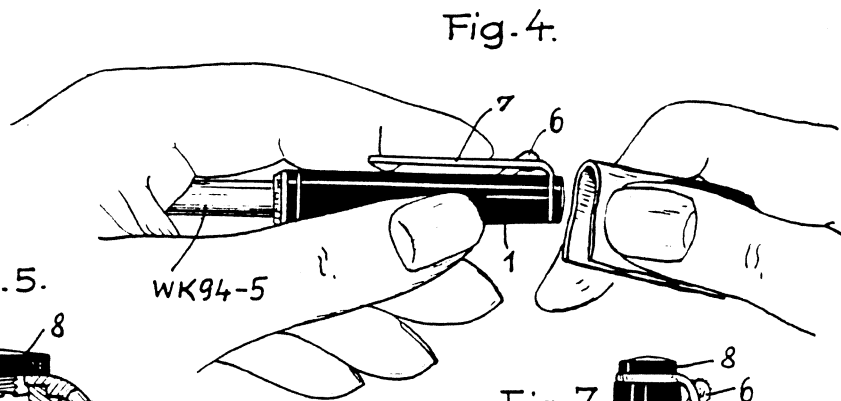
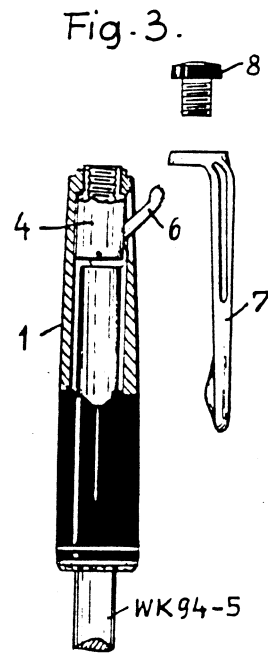
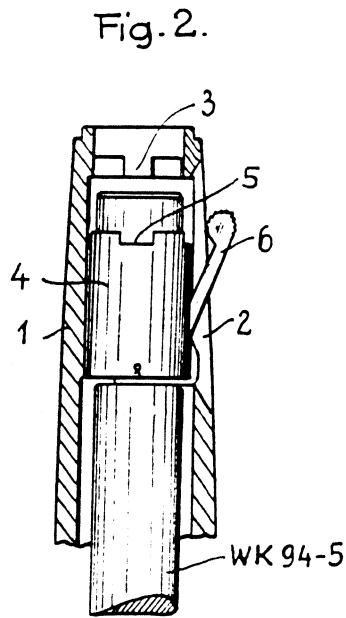
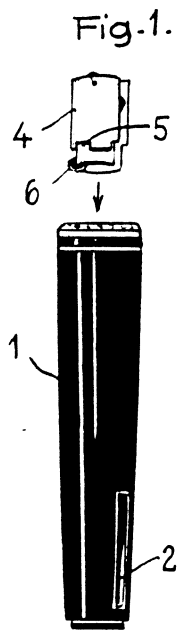
Fig. 3 If the nib has been adjusted too loosely, however, that means the slit of the nib is too broad and the gauge WK 81 drops down from the slit too soon, the nib has to be re-adjusted. The two blades of the nib have to be drawn together closer to each other by means of the nib-adjusting pliers WK 10-3 in such a way that the two blades stand on a level as shown under "A". They are not allowed to tilt upwards (as shown under "B") nor downwards (as shown under "C").

Attention!

After the nib has been gauged as described above and mounted in the fore part and the latter has been screwed onto the container (see MA 150), the nib has to be gauged again.



Diese Zeichnung bleibt unser Eigentum und darf nur in unserem Antrage verwendet werden.		 <b>MONTBLANC SIMPLO</b> G. m. b. H.
Eingerahmte Maße werden besonders geprüft! Zul. Abweichung für Maße ohne Toleranzangabe:		
Werkstoff:	Bem.:	gez. : 9.5.61 gepr. : Ers. f. : ers d. :
Rohmaß:		
Schleifmaß:	And. Nr.:	Typ-Nr.: Engl.
Stückliste:		
Zusbau.-Zchnng. Nr.:	Gauging the Nib	<b>MA 156</b> page 2
Maßstab:		



Diese Zeichnung bleibt unser Eigentum und darf nur in unserem Auftrage verwendet werden.	
Eingerahmte Maße werden besonders geprüft! Zul. Abweichung für Maße ohne Toleranzangabe:	
Werkstoff:	Bem.: für Kugelschreiber
Rohmaß:	17-27-37-77-87-97
Schleifmaß:	And. Nr.:
Stückliste:	Einbau der Mechanik in die
Zusbau-Zchnng. Nr.:	Kappe des Kugelschreibers und
Maßstab:	Demontage der Mechanik



**MONTBLANC**  
**SIMPLO**  
G. m. b. H.

gez. : 14.12.60  
gepr. : *Stanus*  
Ers. f. :  
ers d.:

MA 157  
Bl. 1.

Mounting the Mechanism into the Cap of the Ball Pen

- Fig. 1 The cap 1 is held vertically, the ring of the cap showing upwards. At the top part in the inside of the cap there is a tothing 3. The lever bearing 4 has a similar tothing 5 at the top. The cap 1 being held as described above, the lever bearing 4 is inserted in the cap 1 in such a way that the lever 6 is on the same line as the slit 2 of the cap. If, at this point, the lever 6 does not swing out of the slit 2 all by itself, it is made to do so by taking a pair of tweezers, a needle or something similar, after which the lever bearing 4 is pushed
- Fig. 2 into its final position by means of the pin WK 94-5, the toothings 3 and 5 thus made to engage and secure the lever
- Fig. 3 bearing 4 against twisting. By means of the pin WK 94-5 the lever bearing is held in place, the clip 7 is put on the cap at which the lever 6 has to project out of the slit of the clip,
- Fig. 4 and the clip is made fast to the cap by screwing the top 8 of the cap on by means of a piece of rubber or something similar.

You have to see to it that the lever 6 can be agitated easily.

- Fig. 5 After the lever bearing 4 has been mounted, the push-rod 9 is inserted in such a way that the even side shows toward the lever bearing and the slit toward the refill. The push-rod 9 is secured by a ring 10 so it cannot fall out of the cap. The
- Fig. 6 ring 10 is deformed on the side 11 in such a way that it protrudes somewhat over the outer diameter at four places. The ring 10 is mounted into the cap as described below.

The ring 10 - with the deformed side 11 first - is placed on the pin WK 94-9, and the pin is then pushed into the cap up to the shoulder 12.

You have to pay attention by all means that the deformed side 11 of the ring shows toward the opening of the cap, as otherwise it would not remain fixed.

Dismounting

The top of cap 8 is screwed off and the clip 7 removed. The tool WK 94-7 is placed on the edge of the lever bearing 4 protruding out of the cap 1, and the lever bearing 4 is then pushed that far into the cap by pressure or light beats, till the lever 6 can be pushed out of the slit 2 of the cap and into the lever bearing 4, the tool being removed.

The lever 6 is protected against damage by setting the tool again on the lever bearing 4, and by just a few beats on the tool the lever bearing 4, the push-rod 9, and the clamping ring 10 are driven out of the cap 1.




Diese Zeichnung bleibt unser Eigentum und darf nur in unserem Auftrage verwendet werden.					<b>MONTBLANC</b>	
Eingerahmte Maße werden besonders geprüft! Zul. Abweichung für Maße ohne Toleranzangabe:					<b>SIMPLO</b>	
Werkstoff:	Bem.:			G. m. b. H.		
Rohmaß:						
Schleifmaß:	And. Nr.:			Typ-Nr.:	gez. : 9.5.61	
Stückliste:	Mounting the Mechanism into cap of Ball Pen and Dismounting the Mechanism			Engl.	gepr. :	M A 157 page 2
Zusbau-Zehng. Nr.:					Ers. f. :	
Maßstab:				Ers d.:		

Fig. 1.

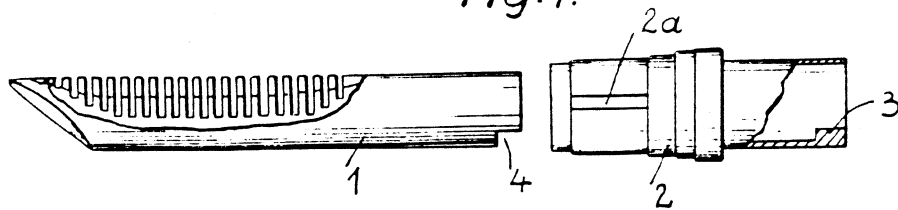


Fig. 2.

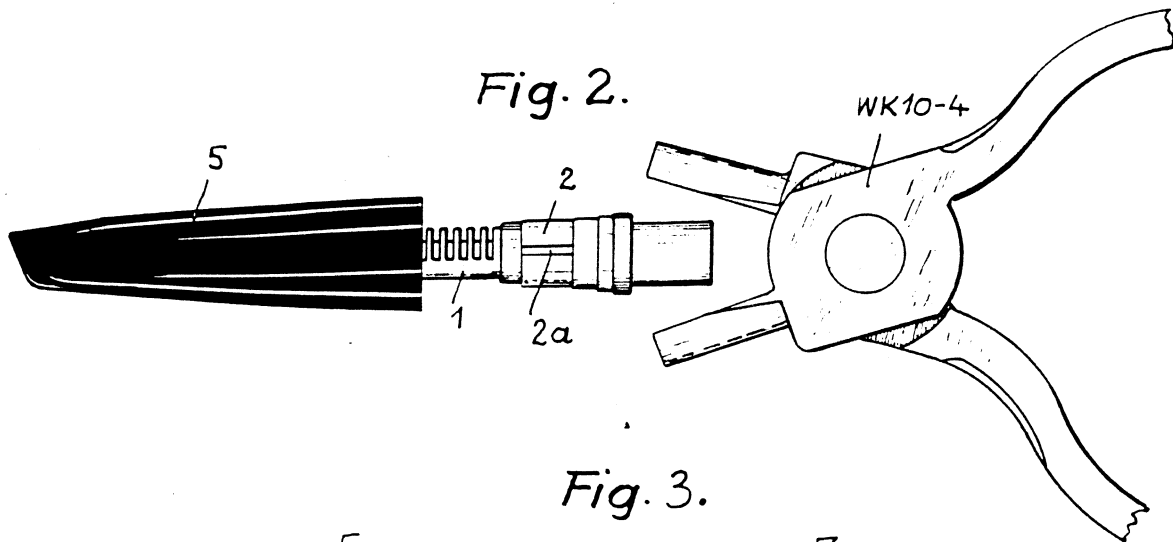


Fig. 3.

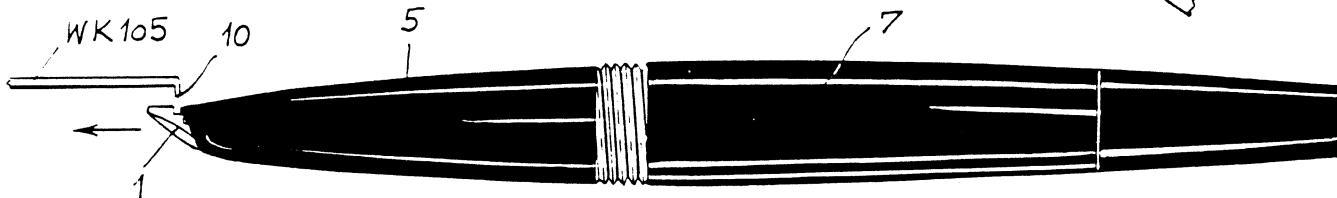


Fig. 4.

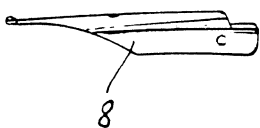


Fig. 5.

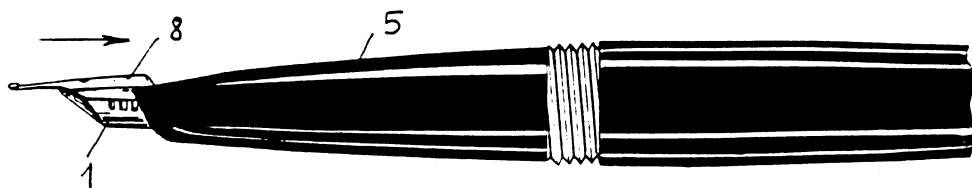
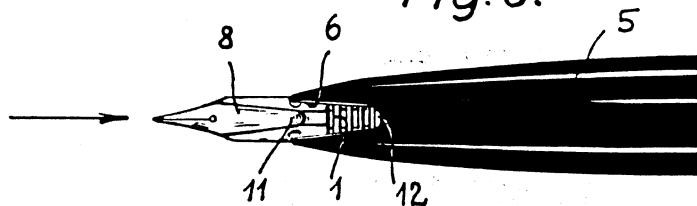


Fig. 6.



Diese Zeichnung bleibt unser Eigentum und darf nur in unserem Auftrage verwendet werden.

Eingeräumte Maße werden besonders geprüft! Zul. Abweichung für Maße ohne Toleranzangabe:

Werkstoff:

Bem.:

Rohmaß:

Schleifmaß:

And. Nr.:

Typ-Nr.:

gez. : 4.7.61

Stückliste:

Zusbau.-Zchnng. Nr.:

Montage und Demontage des Tintenleiters mit Plastik-Tintenleiterhülse und der Schreibfeder

3.  
Serie

gepr. : *H...*

Ers. f. :

ers d.:

**MONTBLANC**  
**SIMPLO**  
G. m. b. H.

MA 158  
Bl. 1

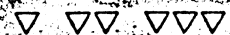



Mounting and Dismounting the Ink Feeder and  
Inserting the Writing Nib of the Series 30

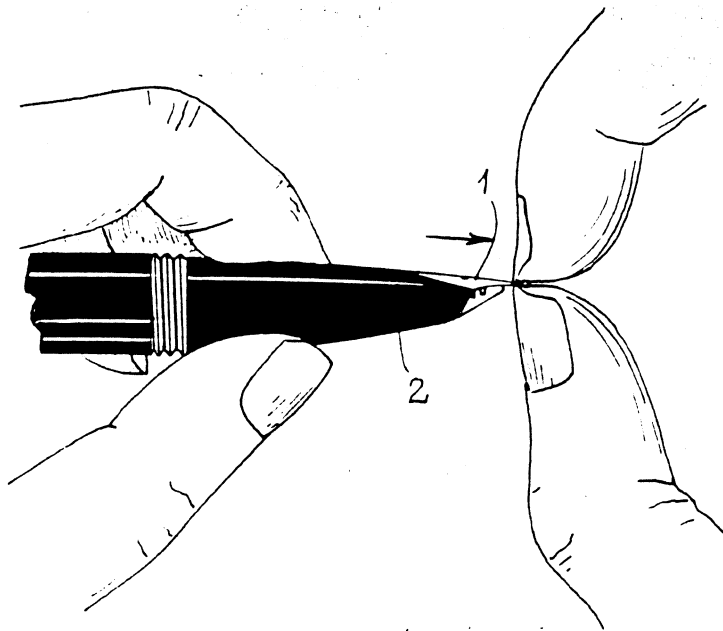
- Fig. 1 The ink feeder 1 is placed in the feeder case 2 that far that the shoulder 3 in the back end of the feeder case 2 comes to lie in the recess 4 of the ink feeder.
- Fig. 2 The feeder case 2 together with the feeder 1 is pushed into the fore-part 5 by means of tongs (WK 10-4). Pay attention that the ledges of the fore-part enter into the grooves 2a of the feeder case 2, whereby the correct placing of the ink feeder and feeder in the fore-part is ensured.
- Fig. 3 Apply some WK 50 on the thread at the front end of the transparent part of the barrel 7 and screw the fore-part 5 onto the barrel 7.
- Fig. 4 For inserting the nib in the fore-part, pull the ink feeder 1 a little out of the fore-part carefully and without twisting it any. This is done by means of the tool WK 105 the nose 10 of which catches in the first bar of the ink feeder 1.
- Fig. 5 The nib 8 is then put on the ink feeder 1 and pushed somewhat into the conical gap 6 of the fore-part 5. By taking a piece of rubber now, the nib and the ink feeder are pushed into the fore-part into their final position that means until the key 11 on the nib abuts against the back wall 12 of the gap 6.


If, however, you meet with a resistance too soon when pushing in the nib and feeder, the latter has been twisted in the feeder case and the shoulder 3 of the feeder case did not catch in the recess 4 of the ink feeder.

Repeat the procedure with the pushing in of the nib.



Diese Zeichnung bleibt unser Eigentum und darf nur in unserem Auftrage verwendet werden.		 <p><b>MONTBLANC SIMPLO</b> G. m. b. H.</p>
Eingerannte Maße werden besonders geprüft! Zul. Abweichung für Maße ohne Toleranzangabe:		
Werkstoff:	Bem.:	
Rohmaß:		
Schleifmaß:	And. Nr.:	Typ-Nr.:
Stückliste:	Mounting and Dismounting the Ink Feeder and Inserting the Nib of the Series 30	
Zusbau-Zechnng. Nr.:		
Maßstab:		
		gez. : 16.4.44
		gepr. :
		Ers. f. :
		ers d. :
		M A 158 page 2

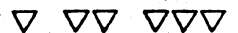



Diese Zeichnung bleibt unser Eigentum und darf nur in unserem Auftrage verwendet werden.		 <b>MONTBLANC</b> <b>SIMPLO</b> G. m. b. H.		
Eingeräumte Maße werden besonders geprüft! Zul. Abweichung für Maße ohne Toleranzangabe:				
Werkstoff:	Bem.:	Typ-Nr.:	gez. : 5.7.61	
Rohmaß:	And. Nr.:		gepr. : <i>Stumm</i>	MA 159
Schleifmaß:	Demontage der Schreibfeder	3. Serie	Ers. f. :	Bl. 1.
Stückliste:			ers d.:	
Zusbau.-Zchnng. Nr.:				
Maßstab:				

Dismounting the Writing Nib of the Series 30

The writing nib 1 is to be held at the tip by two fingers as shown on the drawing and withdrawn from the fore-part 2.

If the nib sits real tight, take hold of it by means of a piece of rubber. Do not use a tool, such as tongs or something similar, by any means as the nib may be damaged thereby.



Diese Zeichnung bleibt unser Eigentum und darf nur in unserem Auftrage verwendet werden.			<b>MONTBLANC</b>	
Eingerahmte Maße werden besonders geprüft! Zul. Abweichung für Maße ohne Toleranzangabe:			<b>SIMPLO</b>	
Werkstoff:	Bem.:	G. m. b. H.		
Rohmaß:				
Schleifmaß:	And. Nr.:	Typ-Nr.:	gez. : 16.11.61	M A 159 page 2
Stückliste:	Dismounting the Nib of the Series 30		gepr. :	
Zusbau-Zehng. Nr.:			Ers. f. :	
Maßstab:			Ers d. :	